

Bracket Mount LED Luminaires – 3000k CCT



Bracket Mount LED 100W & 250W Equiv



Bracket Mount LED 400W Equiv



Bracket Mount LED "J" Series

LED Equivalent Bracket Mount Luminaires	Stock # LED Luminaire	Stock # Light Shield-Back and Side (CUL-DE-SAC) (J Series LED) (# shield per light)	Stock # Light Shield – House or Back (J Series LED) (# shield per light)	Stock # Light Shield – Back and Side (CUL-DE-SAC) (G Series) (# shield per light)	Stock # Light Shield-House or Back (G Series) (# shield per light)
LED 100W Equiv, Type III, 120V-277V	38-51-643	38-51-675 (J Series) (1)	38-51-676 (J Series) (1)	38-51-635 G-Series (1)	38-51-636 G-Series (1)
LED 100W Equiv, Type V, 120V-277V	38-51-644	38-51-675 (J Series) (1)	38-51-676 (J Series) (1)	38-51-635 G-Series (1)	38-51-636 G-Series (1)
LED 250W Equiv, Type III, 120V-277V	38-51-645	38-51-675 (J Series) (2)	38-51-676 (J Series) (2)	38-51-635 (G Series) (2)	38-51-636 G-Series (2)
LED 250W Equiv, Type III, 480V	38-51-646	38-51-675 (J Series) (2)	38-51-676 (J Series) (2)	38-51-635 (G Series) (2)	38-51-636 G-Series (2)
LED 400W Equiv, Type III, 120V-277V	38-51-647	NA	NA	NA	NA
LED 400W Equiv, Type III, 480V	38-51-648	NA	NA	NA	NA



Light Shield – Shield Back and Side (CUL_DE_SAC)

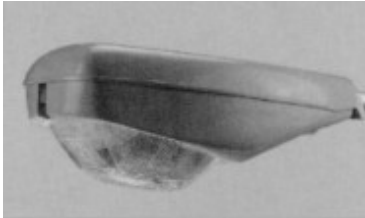


Light Shield – Shield House or Back

Note: Order light shield if there is a complaint of light trespass. Stock #3851675 (block back and side) and stock #3851676 (block back or house) are setup for "J" series LED. The "J" series LED is labeled with additional identification decal "J" next to the wattage decal shown above. Stock #3851635 and #3851636 work only on LED without identification decal "J" LED.

HID Bracket Mount Luminaire

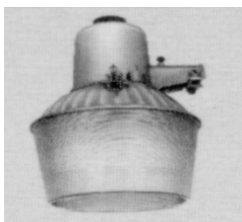
OBSOLETE HID BRACKET MOUNT LUMINAIRES
(Partial List - Most Used)



Cobra/Enclosed
Horizontal HID – Semi-Cutoff



Cobra/Enclosed
Horizontal HID – Cutoff



Open Bottom/NEMA
HID

Horizontal Enclosed Semi-Cutoff (Non-Cutoff)	Stock #
100W, Type III, HPS, 120V	38-01-531
250W, Type III, HPS, 120V	38-01-532
250W, Type III, HPS, multi	38-01-574
250W, Type III, HPS, 480V	38-01-578
400W, Type III, HPS, 120V	38-01-530
400W, Type III, HPS, multi	38-01-573
400W, Type III, HPS, 480V	38-01-577
250W,III,Probe-Start MH,120V	38-01-627
400W,III,Probe-Start MH,120V	38-01-629
250W,III,Pulse-Start PMH,120V	38-01-958
400W,III,Puse-Start PMH,120V	38-01-959
Horizontal Enclosed Cutoff/Cobra Head	Stock #
100W, Type III, HPS, 120V	38-01-528
250W, Type III, HPS, 120V	38-01-495
250W, Type III, HPS, 480V	38-01-828
250W, Type III, HPS, multi	38-01-944
400W, Type III, HPS, 120V	38-01-496
400W, Type III, HPS, 480V	38-01-830
400W, Type III, HPS, multi	38-01-945
250W,III,Probe-Start MH,120V	38-01-628
400W,III,Probe-Start MH,120V	38-01-630
250W,III,Pulse-Start PMH,120V	38-01-963
400W,III,Puse-Start PMH,120V	38-01-965
Open Bottom/NEMA Head	Stock #
100W, HPS, Hood, 120V	38-01-534
Reflector, Type III	38-01-883
Reflector, Type V	38-51-368

LED Post Top – 3000K CCT/HID Post Top Luminaires



Early American Post Top

Early American Decorative/Post Top Luminaire	Stock #
LED, 100W Equiv. 3K CCT, 120-277V, Type III	38-51-620
HPS, 100W, 120V, Type III	38-01-517
HPS, 100W, 120V, Type V	38-01-518
MH, 175W, Type III, 120V (Obsolete)	38-01-942
PMH, 150W, Type II, 120V	38-01-961



Acorn/Globe Post Top
(Maintenance in Legacy of CIP)

Acorn/Globe Decorative/Post Top Luminaire	Stock #
LED, 100W Equiv. 3K CCT, 120-277V, Type V	38-51-666
LED, 100W Equiv. 3K CCT, 120-277V, Type III	38-51-665
HPS, 100W, Type V, 120V, Type V	38-01-624
MH, 175W, Type V, 120V (Obsolete)	38-01-625
MH, 150W, Type V, 120V	38-01-960



Contemporary/Traditional Post Top
(Maintenance in East St. Louis & Alton)

Contemporary or Traditional Decorative/Post Top Luminaire	Stock #
LED 100W Equiv., 3K CCT, 120V-277V, Type III	38-51-621
LED 100W Equiv., 3K CCT, 120V-277V, Type V	38-51-623
HPS, 100W, Type III, 120V	38-01-513
HPS, 100W, Type V, 120V	38-01-514



Aspen Post Top
(Maintenance in East St. Louis & Alton)

Aspen Decorative/Post Top Luminaire	Stock #
LED 100W Equiv., 3K CCT, 120V-277V, Type III	38-51-633
LED 100W Equiv., 3K CCT, 120V-277V, Type V	38-51-634
HPS, 100W, Type III, 120V	38-01-584
HPS, 100W, Type V, 120V	38-01-585

LED Flood/Directional Luminaires – 3000K CCT



Figure 3-1.
Directional/Flood LED
250W&400W Equivalent
(GE EFM Model)

Directional/Flood Luminaires (GE EFM Model)	Stock #	Light Shield–Based on request
LED 250W Equiv, 3K CCT, 120-277V	38-51-649	38-51-657
LED 250W Equiv, 3K CCT, 480V	38-51-650	38-51-657
LED 400W Equiv, 3K CCT, 120-277V	38-51-651	38-51-657
LED 400W Equiv, 3K CCT, 480V	38-51-652	38-51-657
LED 1000W Equiv, 3K CCT, 120-277V	38-51-653	38-51-656
LED 1000W Equiv, 3K CCT, 480V	38-51-669	38-51-656



Figure 3-4.
Light Shield ONLY needed based on request
MUST SELECT THE CORRECT SHIELD
FOR EACH MODEL OF LED LUMINAIRE
SEE MODEL "(*)"

Directional/Flood Luminaires (GE EFN Model-Old) (not available)	Stock #	Light Shield–Based on request
LED 250W Equiv, 120-277V	38-51-649	38-51-658
LED 250W Equiv, 480V	38-51-650	38-51-658

Directional/Flood Luminaires (GE EFH Model-Old) (not available)	Stock #	Light Shield–Based on request
LED 400W Equiv, 120-277V	38-51-651	38-51-656
LED 400W Equiv, 480V	38-51-652	38-51-656



Figure 3-2. (GE EFH Model)-LED 400W EQV (Old)



Figure 3-3 (GE EFN Model)-LED 250W EQV (Old)

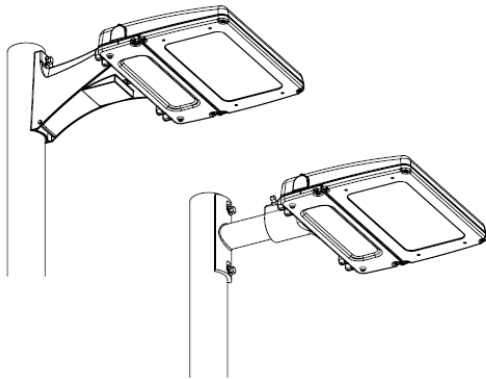
OBSOLETE HID DIRECTIONAL HID LUMINAIRES

(Partial List - Most Used)



HID Directional/Flood Luminaires

Directional/Flood Luminaires	Stock #
HPS, 250W, 120V	38-01-521
HPS, 250W, 480V	38-01-755
HPS, 400W, 120V	38-01-522
HPS, 400W, 480V	38-01-759
HPS, 400W, 120/208/240/277V	38-01-990
MH, 250W, 120V	38-01-626
MH, 400W, 120V	38-01-542
MH, 400W, 480V	38-01-768
PMH, 250W, 120/208/240/277V	38-01-964
PMH, 400W, 120V	38-01-962
PMH, 400W, 120/208/240/277V	38-01-992
PMH, 400W, 480V	38-01-966



LED 100W EQV AND 250W & 400W EQV
RECTANGULAR (SHOEBOX)

LED RECTANGULAR (SHOEBOX) LUMINAIRES
FOR MAINTENANCE in Legacy of Illinois Power ONLY

LED RECTANGULAR (SHOEBOX) LUMINAIRES	Stock #
LED 100W EQUIV 120-270V	38-51-637
LED 250W EQUIV 120-270V	38-51-640
LED 400W EQUIV 120-270V	38-51-638
LED 400W EQUIV 480V	38-51-639
HID RECTANGULAR(SHOEBOX) LUMINAIRES - OBSOLETE	Stock #
HPS 100W, 120V	38-01-804
HPS 250W, 120V	38-01-823
HPS 400W, 120V	38-01-825
MH 400W, 120V	38-01-826
HPS 400W, 480V	38-01-824



HID RECTANGULAR SHOEBBOX LUMINAIRE (OBSOLETE)