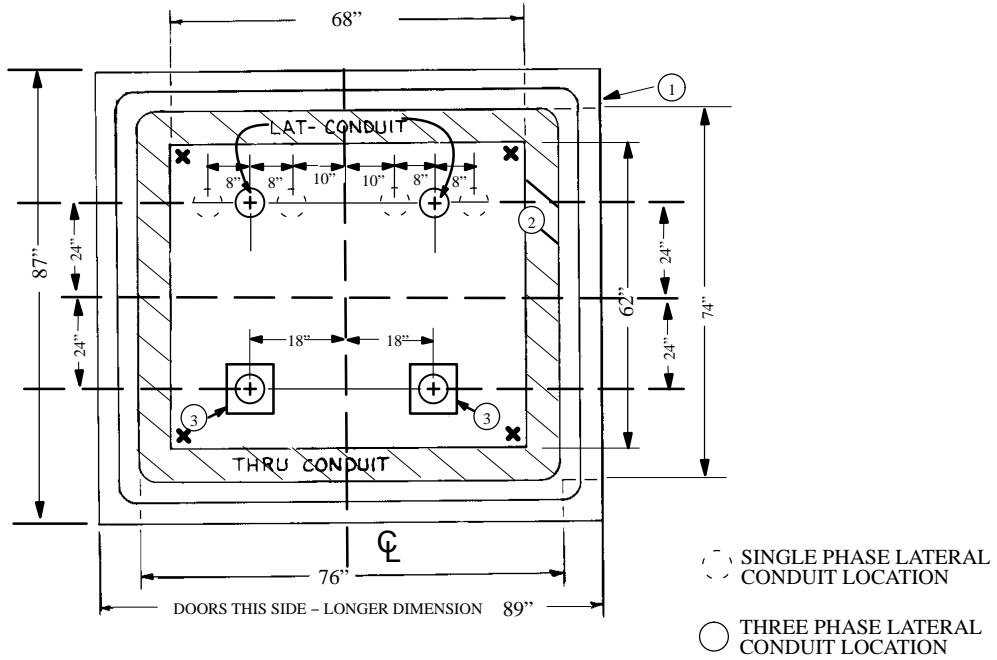
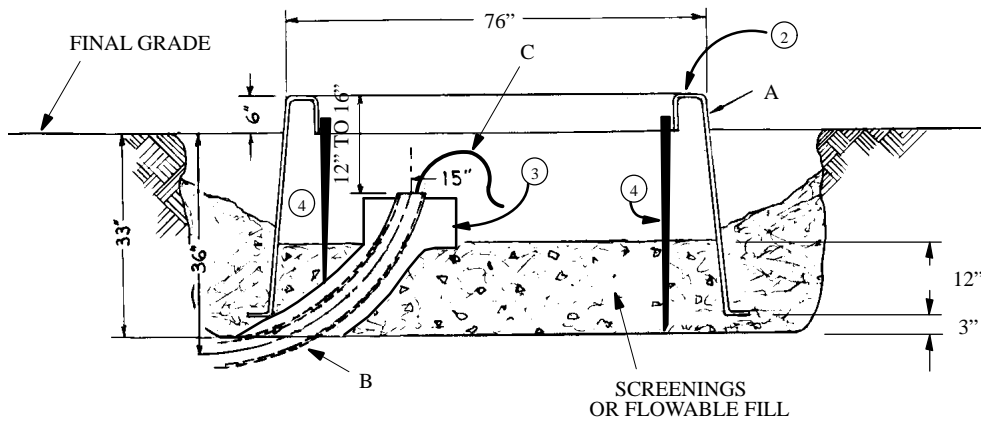


COMPOSITE SWITCHGEAR PAD



TOP VIEW

- ① BASE OF PAD
- ② LOAD BEARING SURFACE OF PAD
- ③ RESTRAIN THRU CONDUIT BENDS PER SPEC 2 AS REQUIRED BY AMEREN FOR PULLING LONG CABLE LENGTHS.
- ④ PLACE GROUND RODS AT CORNERS (X). AS AN ALTERNATIVE, FOUR 1 INCH PVC SLEEVES OF 18 INCHES MIN. LENGTH MAY BE INSTALLED



SIDE VIEW

UNDERGROUND EQUIPMENT-SWITCHING
Padmounted Primary Switchgear
Composite Box Pad

SPEC 11
Sheet 2 of 2

MATERIAL INSTALLED BY CONTRACTOR
(DERIVED FROM CONSTRUCTION STANDARD 53 11 04 **)

	Material / Stk No.	Description	Quantity
A	12 06 165	Pad – Switchgear, Composite (Provided by Ameren)	1
B	12 51 173	Bend – Plastic, 3” x 36” Rad, Sch. 40	As Req’d
	12 51 176	Bend – Plastic, 4” x 36” Rad, Sch. 40	As Req’d
	12 51 206	Bend – Plastic, 5” x 36” Rad, Sch. 40	As Req’d
C	83 36 252	Pulling Tape – 3/4” Wide, 2500 lbs. Strength (ft.)	As Req’d
D	23 63 027	Rod – Ground 5/8” x 8’, Copper	4

INSTRUCTIONS FOR EXCAVATION AND PLACEMENT OF SWITCHGEAR BOX PAD.

Placing The Bends

Situate the bends as required by Ameren on the job drawings. Note that a 36 inch radius bend on the lateral side at a 36 inch depth will almost touch the side of the pad when it is placed at depth. An increase of final burial depth or angling of the conduit may be necessary to clear the pad flange.

Excavation And Final Depth

An initial depth of 33 inches shall be excavated removing or tamping all loose soil. The length and width of the hold should be 99” by 97”. This allows 5” of side clearance. The longer dimension is the door side of the gear.

One inch clean gravel shall be placed and tamped to a final level depth of 30 inches. The area bearing the pad shall be leveled with a carpenter’s level. The final depth of 30 inches will leave the required 6 inches of pad exposed at final grade.

Place The Pad

Place the pad with the longer side where the doors will be, as indicated on the job drawings provided by Ameren.

Backfilling

Stabilize the pad before backfilling the outside of the pad to prevent shifting.

Stabilizing

To further stabilize the pad and conduit bends, place 12 inches of screenings inside the pad and tamp in place.

Bend – Final Preparation

The conduit bend should be cut off below the switchgear pad mounting flange. The rule is as follows: 5 inch diameter bend shall be cut a minimum of 16 inches below the flange. A 3 inch conduit cut a minimum of 12 inches below.

Ground Rods

Place the 4 ground rods in the corners of the pad opening. Drive the ground rods into the soil to a depth of 5 feet. Place the ground rods before adding screenings or flowable fill inside of the pad.