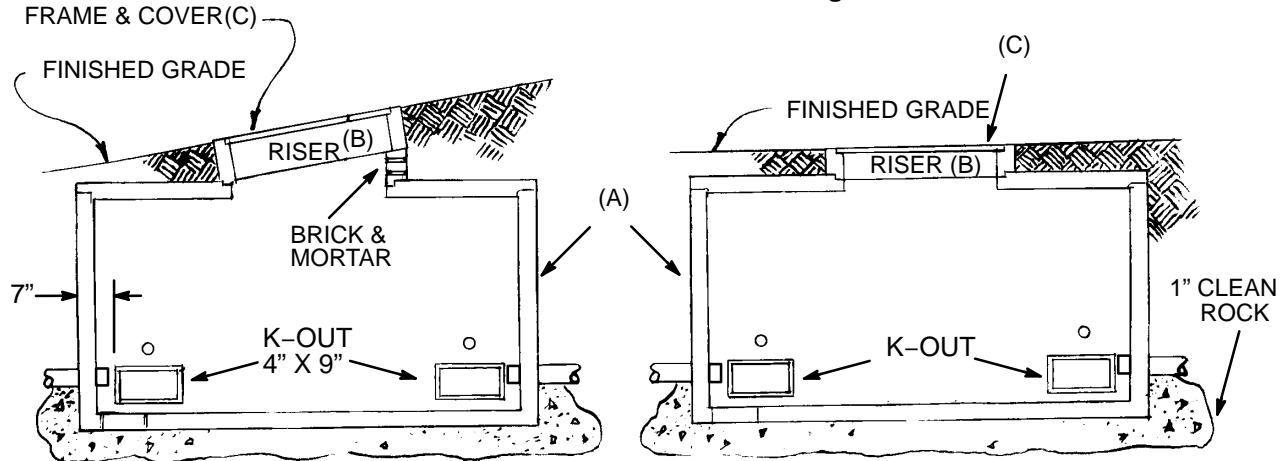


UNDERGROUND STRUCTURES
 Vault – Precast 3' x 5' – 42" deep
 2-4" PVC Couplings Each End

****This vault does not have a traffic rating.****



Grade adjustments shall be made using the riser and necessary brick and mortar to meet the existing slope. The vault floor shall always be installed level.

1. Locate this vault out of the way of vehicular traffic.
2. Excavate a 4' x 6' pit to a depth necessary to obtain minimum cover for the conduits. Outside dimensions are L-5'8"; W3'8"; H-4'2"; Riser 6" tall. NOTE: RISER MUST BE USED.
3. Fill any overdig with crushed rock leveling the rock and tamping to firm wherever the earth has been disturbed.
4. To lift vault, use swivel plates mounted to the Richmond inserts with lag bolts that "Firmly" fasten the plate against the wall.
5. Place conduits into ducts or Knockouts 6 inches as required. Grout or mortar around ducts entering thru Knockouts.
6. FILL & TAMP – Replace and stabilize the earth around the vault and riser tamping to compaction.
7. Brick and mortar between riser and keyway in manhole to accommodate the grade slope. Seal the cover frame to the riser.
8. Sod or resurface grade as necessary.

MATERIAL INSTALLED BY CONTRACTOR

(DERIVED FROM CONSTRUCTION STANDARD 32 24 01 **)

	Materials / Stk. No.	Description	Quantity			Weights
			UNIT	LEVEL	SLOPED	
A	12 06 097	Vault – Precast 3' x 5'	Ea	1	1	Vault 4200 lbs.
B	12 06 192	Riser – Neck 6" Extension	Ea	1	1	Riser 665 lbs.
C	12 02 100	Cover – Vault Galv. Stl. 42" x 66"	Ea	1	1	Cover 500 lbs.
		Rock – Crushed (1" Clean)	Cy	1	1	
		Brick	Ea	--	--	
		Mortar	Bag	0	1	