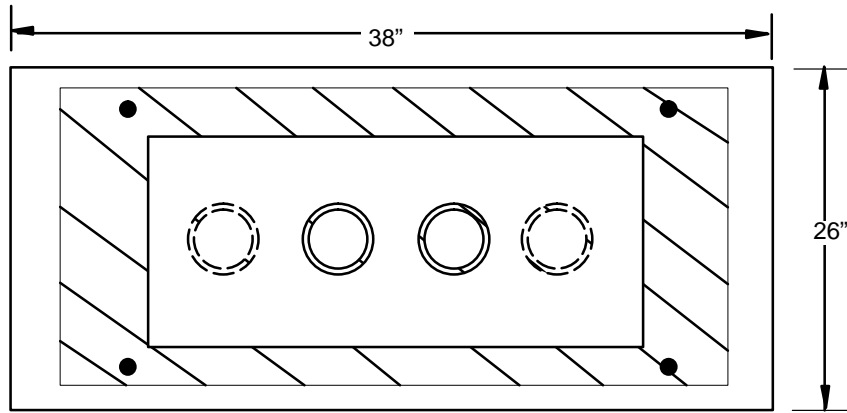
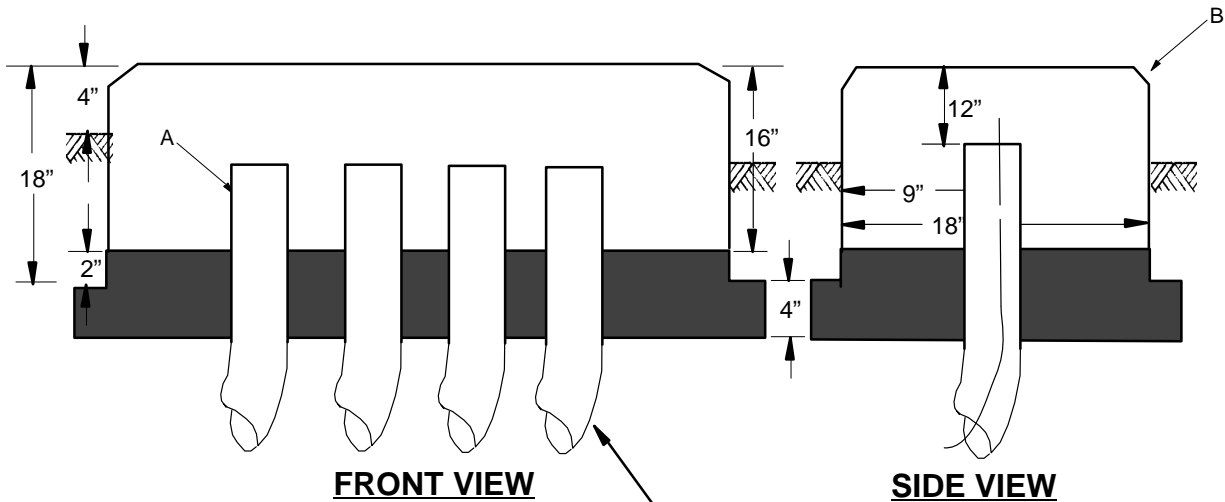


**STRUCTURES – ENCLOSURE PAD**  
 2-Way, 3-Way, 4-Way Cable Junction  
 Loadbreak, Single Phase Primary



DOOR SIDE OF ENCLOSURE  
**TOP VIEW**



**FRONT VIEW**

**SIDE VIEW**

**NOTE:**  
 CONDUIT ENDS EXTENDING INTO PAD  
 MUST BE PLUMB AND PROPERLY  
 POSITIONED PRIOR TO BACKFILLING.  
 BUNDLE CONDUIT ENDS WITH DUCT  
 TAPE TO PREVENT MOVEMENT.

MATERIAL INSTALLED BY CONTRACTOR

( DERIVED FROM CONSTRUCTION STANDARD 51 11 06 \*\* )

	Material / Stk.No.	Description	Quantity		
			2 Way	3 Way	4 Way
A	12 51 173	Bend – Plastic, 3", 36" Rad.	2	3	4
B	12 06 134	Pad – Ground Sleeve	1	1	1

1. Approximate weight of sleeve is less than 100 lbs.
2. Proper compaction of backfill is important to prevent settling. Backfilling with limestone screenings is recommended.